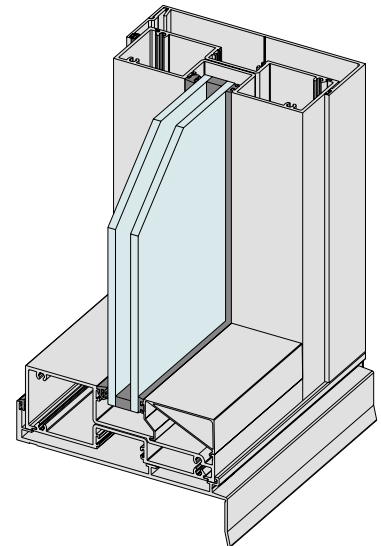




### Key Features

- Frame and glazing pocket designed to be accept 24mm insulating glass units (IGU's) with required 12mm bite plus another 4mm to cater for glass production and installation tolerances.
- Compatible with a large range of other AWS framing systems, including sliding doors.
- Snap together and interlocking expansion mullions.
- Matching 50mm thick hinged, pivot or sliding door designed to accept 24mm thick double glazing and a large variety of industry standard hardware.
- Two fully beaded midrail sizes to choose from (125mm and 200mm deep).
- Concealed overhead transom also designed to accept 24mm IGU's.
- We can insert awning sashes into the framing - if required.
- These sashes will also accept 24mm IGU's.



Maximum Panel Height	Various
Maximum Panel Width	Various
Maximum Glass Thickness	≤ 24mm

*Subject to individual site conditions. Contact AWS Technical Support for information.*



WERS RATED PRODUCT



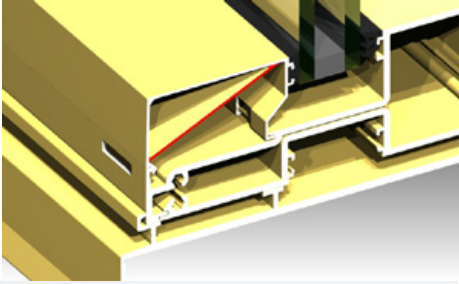
3D & 2D CAD FILES AVAILABLE



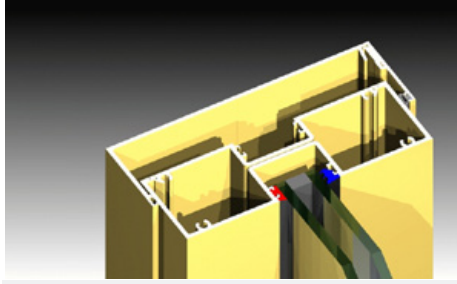
PRODUCT INFORMATION AVAILABLE AT  
[WWW.AWSCOMMERCIAL.COM.AU](http://WWW.AWSCOMMERCIAL.COM.AU)



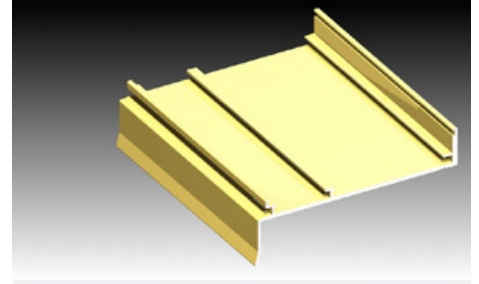
SPECIFIER ASSISTANCE AVAILABLE



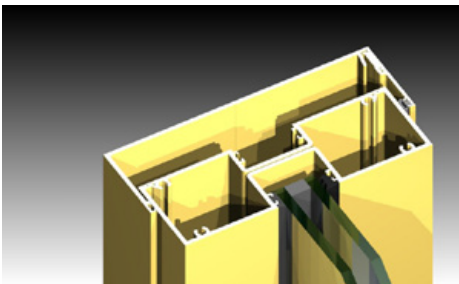
Sill beads are reinforced for extra strength and security.



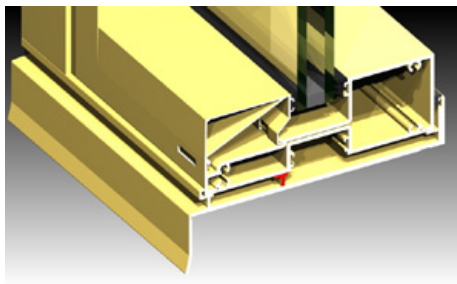
Can accept both captive and roll-in wedges for the ease of site glazing.



Specifically designed sub sill with central support leg.



Sub jambs and sub heads designed for easy installation.



Central leg supports the ever increasing weights of insulated glass units.