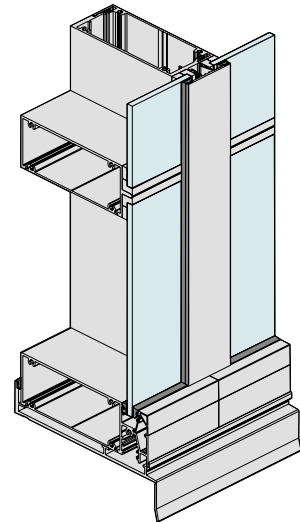




Key Features

- Series 607 FACELINE™ shopfront framing 150mm x 50mm with the glazing pocket close to the front face. This gives us a number of significant advantages, some of these are listed below.
- We have designed this front cover framing system with a full depth perimeter frame. This full frame has a major advantage over what our competitors offer – We can install the frame into sub-frames without compromising the glazing covers.
- We offer a range of mullion and transom treatments from raised covers through flat covers to structural glazing (no covers).
- Waterproof mullions that have been tested to resist 600Pa water; this makes the product suitable for the most extreme locations in Australia.
- There are numerous custom designed extrusions to cater for specific applications.
 - A range of sub-sills cover most installations. Our sub-sills now support the complete frame.
 - Sub-head and two piece sub-jamb that don't compromise the glazing system.
 - Numerous door threshold including weather resisting thresholds for external and internal swing doors.
- We have designed a couple of door systems to suit the framing. The main features with our doors are:
 - 50mm thick door that are significantly stronger than what most of our competitors offer. 44mm Doors struggle when doors are more than 2100mm high.
 - Besides the popular wrap around Series 50 door we offer a fully beaded Series 52 door. Series 50 will accept glass up to 10.38mm thick and Series 52 will accept glass from 4mm to 24mm.
 - The glazing pockets are the same width and depth as the framing. We wanted to get as much glass bite as possible.
 - Door glazing beads are braced to make sure they can withstand high wind loads.
 - Commercial doors can make their way into residential applications and for these situations we have included true French meeting stiles for pairs of door where you want to keep water out. These French meeting stiles are completely flush (no projections) and will accept recess lock face plate and lock keeper.



Maximum Panel Height	Various
Maximum Panel Width	Various
Maximum Glass Thickness	≤ 10.38mm

Subject to individual site conditions. Contact AWS Technical Support for information.



WERS RATED PRODUCT



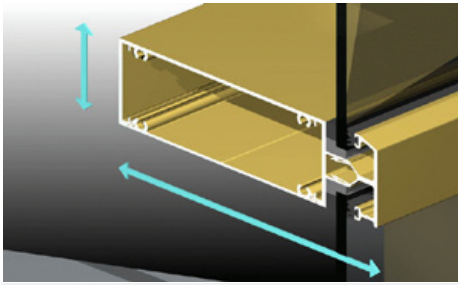
3D & 2D CAD FILES AVAILABLE



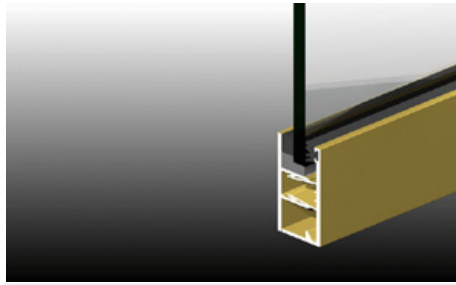
PRODUCT INFORMATION AVAILABLE AT
WWW.AWSCOMMERCIAL.COM.AU



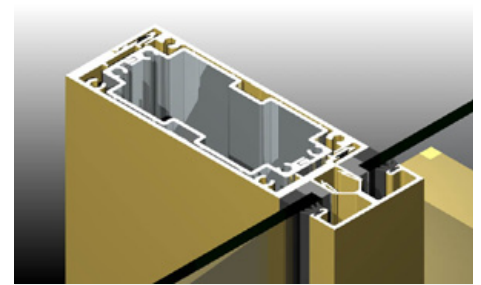
SPECIFIER ASSISTANCE AVAILABLE



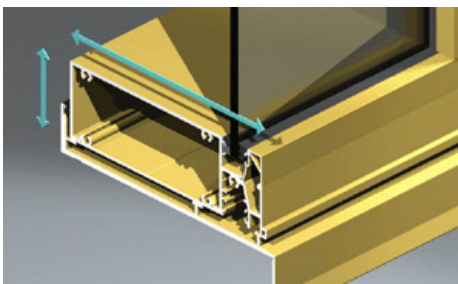
Consistent glazing line is a feature of all AWS Commercial products.



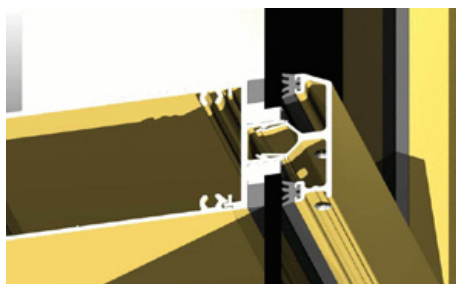
A varying array of alternative bases and covers available.



Various mullion details for site windload conditions.



Dedicated sub sill with central support leg.



Concealed drainage designed to shed water more efficiently.



The table below lists some of the WERS rated glass and frame combinations for this system. For a complete list of all rated glass and frame combinations refer to the Series 607 WERS Data Sheet.

Single Glazed

Glass Type	COOLING	HEATING	Uw	SHGCw	Tvw	Inf
4SnClr	36%	27%	5.07	0.55	0.60	0.72
6SnClr	37%	27%	5.03	0.54	0.59	0.72
6EVanBG	48%	24%	4.78	0.41	0.49	0.72
6EVanClr	36%	32%	4.78	0.56	0.58	0.72
6EVanGy	50%	22%	4.78	0.37	0.28	0.72
6EVanSpB	53%	19%	4.78	0.33	0.34	0.72
6EVanSpGn	53%	19%	4.78	0.33	0.42	0.72
6.38SnClr	39%	28%	4.95	0.52	0.59	0.72
6.38SnGy	48%	21%	4.95	0.40	0.28	0.72
6.38Sct	33%	36%	4.61	0.61	0.71	0.72
6.38CPNtrl	46%	29%	4.55	0.45	0.50	0.72
6.38CPClr	33%	36%	4.59	0.61	0.72	0.72
6.38CPGn	45%	29%	4.60	0.46	0.62	0.72
6.38CPGy	46%	28%	4.60	0.45	0.34	0.72
10SnClr	39%	27%	4.95	0.51	0.58	0.72
10.38Tlam	45%	30%	4.52	0.46	0.53	0.72
10.38SnClr	42%	30%	4.61	0.49	0.57	0.72