



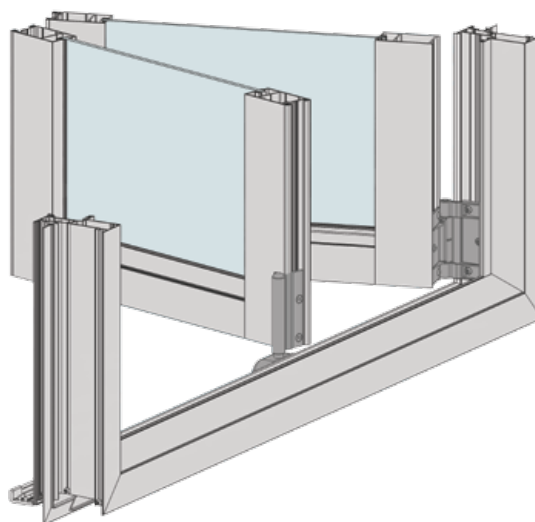
Designer Series | Series 546 Bi-fold Window

Overview

Designed to compliment the series 548 Bi-fold Door system. Series 546 Bi-fold windows are ideal for use in Servery type applications. A range of sill options are available to suit your requirements.

Key Features

- The Series 546 Bi-fold window is designed to complement the Series 548 Bi-fold door system.
- Series 546 and 548 are very similar, however the Series 546 Bi-fold window incorporates narrow panel framing.
- Series 546 uses the same overlight transom as the bi-fold door plus there is an additional transom for lowlights.
- Series 546 Bi-fold windows come in a large variety of combinations (BFW2, BFW4, BFW2+2, BFW6 and BFW4+2 or BFW2+4).
- Successfully water tested at 300Pa.
- A mitred frame matches the other Designer windows and doors.
- Custom injection moulded flush bolt blocks and flush bolt guides remove the need for expensive and unsightly shims and aluminium angles.
- Custom hinges wrap around the window stile and jamb removing the need for notching and shimming. These custom components dramatically improve the appearance.
- For coastal locations we recommend that you use the 316 stainless steel roller cawling.
- Bi-fold windows are supported on dual or quad rollers running on heavy duty dual bottom rails.
- ANDO™, MIRO™ or ICON™ key and non-key bolt activators are the recommended method of securing bi-fold panels in the closed position.
- We can clip Series 546 bi-fold frame to any other Vantage 102mm frame using one of our custom couplers, refer our web site www.vantagealuminium.com.au



Maximum Panel Height	1600mm
Maximum Panel Width	900mm
Maximum Glass Thickness	≤ 20mm

Subject to individual site conditions. Contact AWS Technical Support for information.



WERS RATED PRODUCT



ENHANCED ACOUSTIC PERFORMANCE



3D & 2D CAD FILES AVAILABLE



PRODUCT INFORMATION AVAILABLE AT
WWW.VANTAGEALUMINIUM.COM.AU



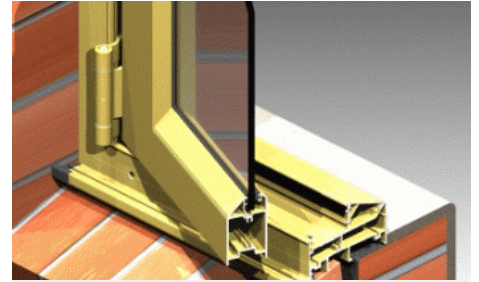
SPECIFIER ASSISTANCE AVAILABLE



The above picture shows the ANDO™ bolt activator, used to secure the bi-fold panels in the closed position. This hardware can be coloured to match the main frame.



Bottom rollers are more reliable for residential projects as top hung panels can run into problems if the head lintel sags.

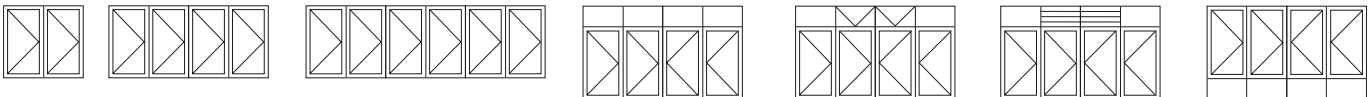


Custom hinges nest into the frame and stile. Hinges can be supplied in a large variety of colours. The double hollow frame is designed to resist twist as the windows opens and closes.



Detailed above is the alternate ICON™, 316 stainless steel, bolt activator. Turn the lever 90° to retract the top and bottom bolts. Also features an adjustable bolt keeper - which allows us to tighten or loosen the panel to frame joint.

Typical Configurations



WERS RATINGS

The table below lists some of the WERS rated glass and frame combinations for this system. For a complete list of all rated glass and frame combinations refer to the Series 546 WERS Data Sheet.

Glass Description	COOLING	HEATING	Uw	SHGCw	Tvw	Inf
5mm Clear	29%	15%	6.0	0.57	0.58	0.80
5mm Grey	40%	8%	6.0	0.42	0.32	0.80
6.38mm Comfort Plus	52%	23%	4.5	0.35	0.38	0.80
4Az/10Gap/4EA	60%	28%	3.8	0.28	0.40	0.80
4/10Ar/4EA	48%	41%	3.6	0.48	0.48	0.80