



Architectural Series | Series 463 Architectural Double Hung Window

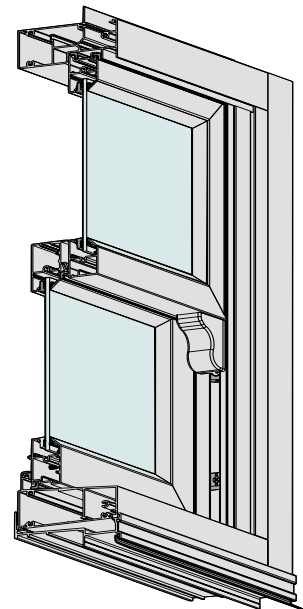


Overview

Series 463 is a commercial grade double hung window, offering bold sash and frame design capable of supporting thick, heavy glazing options.

Key Features

- This 102mm thick commercial grade double-hung window has been designed with bold frame lines and 30mm thick (strong) sashes that can carry heavy glass including 20mm thick double glazing.
- The perimeter frame has been designed to make installation into brick veneer and cavity brick easier with built-in nailing fins (weather bars). The sub-sill that comes with this window also has a built-in nailing fin.
- Extra strong sashes allow large sash windows to be fabricated for high wind load areas.
- 102mm x 44mm head and sill, 102mm x 30mm jamb, 44mm mullion and matching 44mm transoms.
- Both sashes can be hinged back into the room to allow cleaning of both sides of the glass from inside, without removing the fly screen.
- Sashes can be secured with custom key or non-key locking cam handle.
- When windows have a powder coat finish the lower corners on the top sash are fitted with die cast horns as standard..
- Double-hung windows can be fitted with external flyscreens within the frame line, no turn buckles required.
- 90° and 135° corner mullions for box and bay windows available.
- Sashes will accept a variety of glass thicknesses from 4mm single panes to 20mm insulating glass units.
- Successfully tested for compliance and drainage at 450Pa water resistance.



Maximum Panel Height	1010mm
Maximum Panel Width	1510mm
Maximum Glass Thickness	≤ 20mm

Subject to individual site conditions. Contact AWS Technical Support for information.



WERS RATED PRODUCT



ENHANCED ACOUSTIC PERFORMANCE



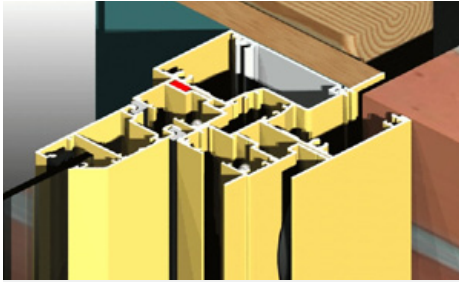
3D & 2D CAD FILES AVAILABLE



PRODUCT INFORMATION AVAILABLE AT
WWW.AWSCOMMERCIAL.COM.AU



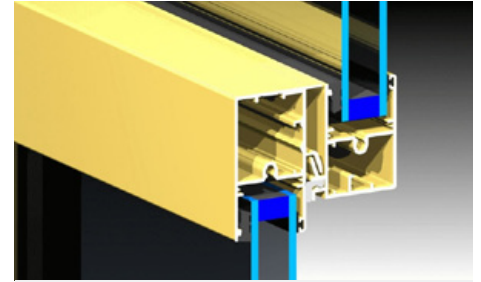
SPECIFIER ASSISTANCE AVAILABLE



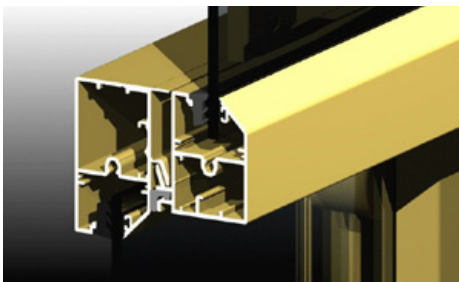
Most AWS Commercial Products can incorporate nailing fins for residential construction.



Federation sash horns standard. Also available without sash horns.



Accepts all glazing types up to 20mm.



Strong, bold sashes in comparison to typical residential products.

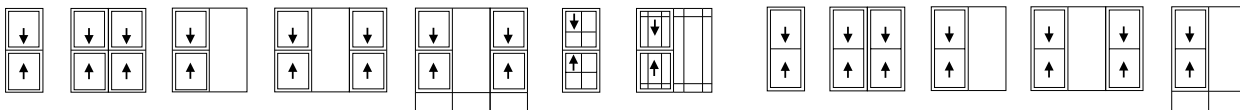


Unique tilt sash feature allows for internal cleaning.



Tilt sashes can be released with spring loaded finger pulls.

Typical Configurations



WERS RATINGS

The table below lists some of the WERS rated glass and frame combinations for this system. For a complete list of all rated glass and frame combinations refer to the Series 463 WERS Data Sheet.

Single Glazed

Glass Description	COOLING	HEATING	Uw	SHGCw	Tvw	Inf
6.38Sct	41%	20%	5.02	0.47	0.54	4.75
6EVanClr	43%	17%	5.15	0.44	0.45	4.75
6EVanSpB	55%	6%	5.15	0.26	0.26	4.75
6EVanSpGn	55%	6%	5.15	0.26	0.32	4.75

Double Glazed

Glass Description	COOLING	HEATING	Uw	SHGCw	Tvw	Inf
4/10/4ET	45%	33%	4.04	0.49	0.50	4.75
4/10Ar/4ET	46%	35%	3.85	0.49	0.50	4.75
4Az/10/4ET	59%	21%	4.04	0.29	0.42	4.75
5SG/8Ar/5ET	59%	23%	3.96	0.29	0.41	4.75